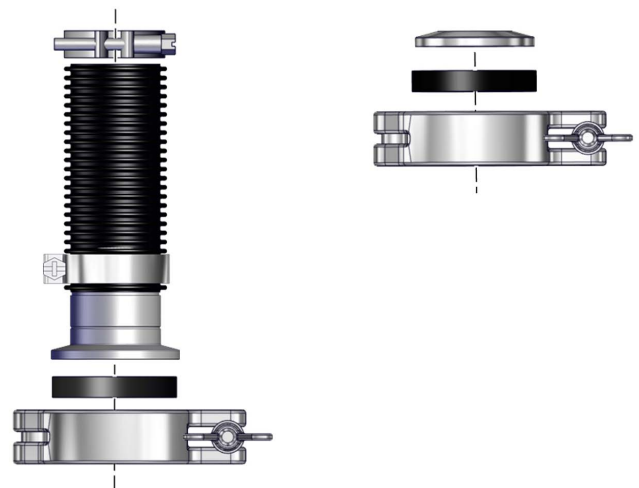




Process Vacuum Solutions

Set changing pump outlet

VAC²⁴ SEVEN



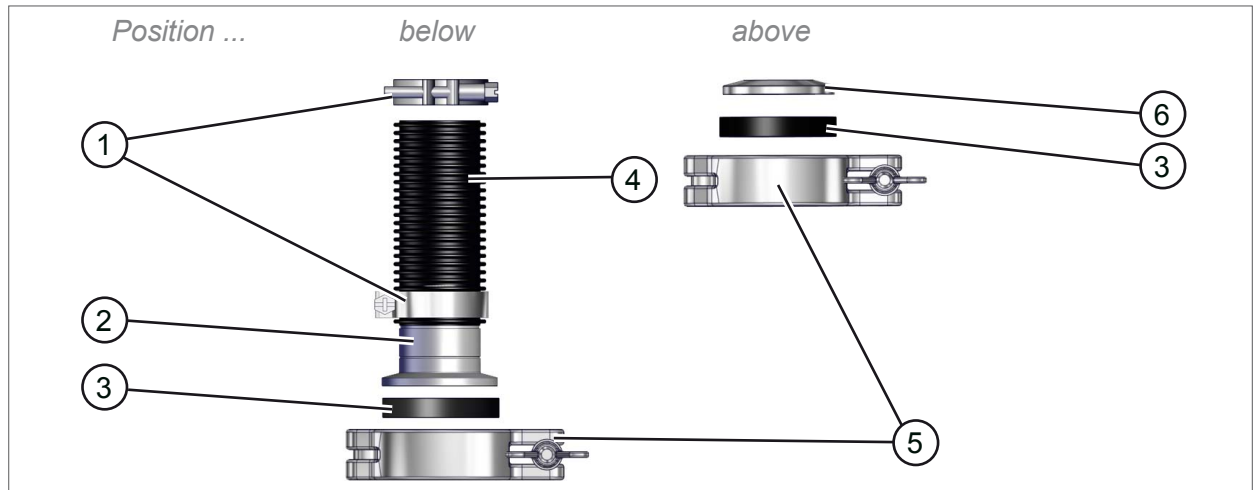
Instructions for use



Product description

The set for changing pump outlet downwards is intended to install the outlet (exhaust) connection of a vacuum pumping unit **VAC 24seven** downwards. The blind flange serves as blanking plug for the outlet above.

Product image



Included materials

Set changing Pump outlet downwards VAC 24seven #20649912		Order N°
1	2x Hose clamp D32 A2	20635316
2	Hose nipple KF DN25/DN24 A4 (+ sealing plug)	20635279
3	2x Centering ring DN20/25	20635722
4	Hose ID25, l = 70 mm PTFE AS Ultra	20635352
5	2x Clamping ring DN 20/25 Alu	20660001
6	Blind flange DN25 A2	20671005
-	Original packaging	-----
-	Instructions for use adapter set for pump outlet	20901706

Required tool



Phillips screwdriver size 2

How to connect the set for changing pump outlet



1. Remove the sealing plug from the outlet pipe below.



2. Slide the hose including the second hose clamp D32 over the outlet pipe below.



3. Fix the hose piece at the outlet pipe with the hose clamp; Phillips screwdriver size 2.



4. Remove the sealing plug.



5. Place the centering ring between the flanges of hose nipple and your exhaust connection.



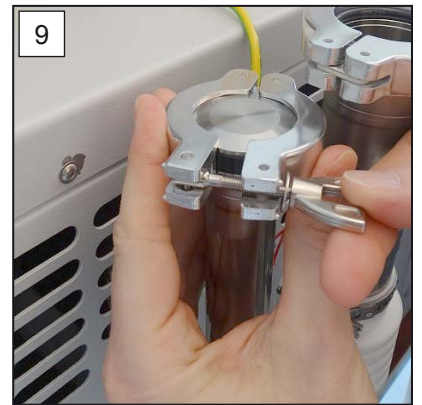
6. Fasten your exhaust connection with the clamping ring.



7. Take centering and blind flange at hand and



8. put both onto the outlet flange above.



9. Fix the blind flange with the clamping ring.

Installation example

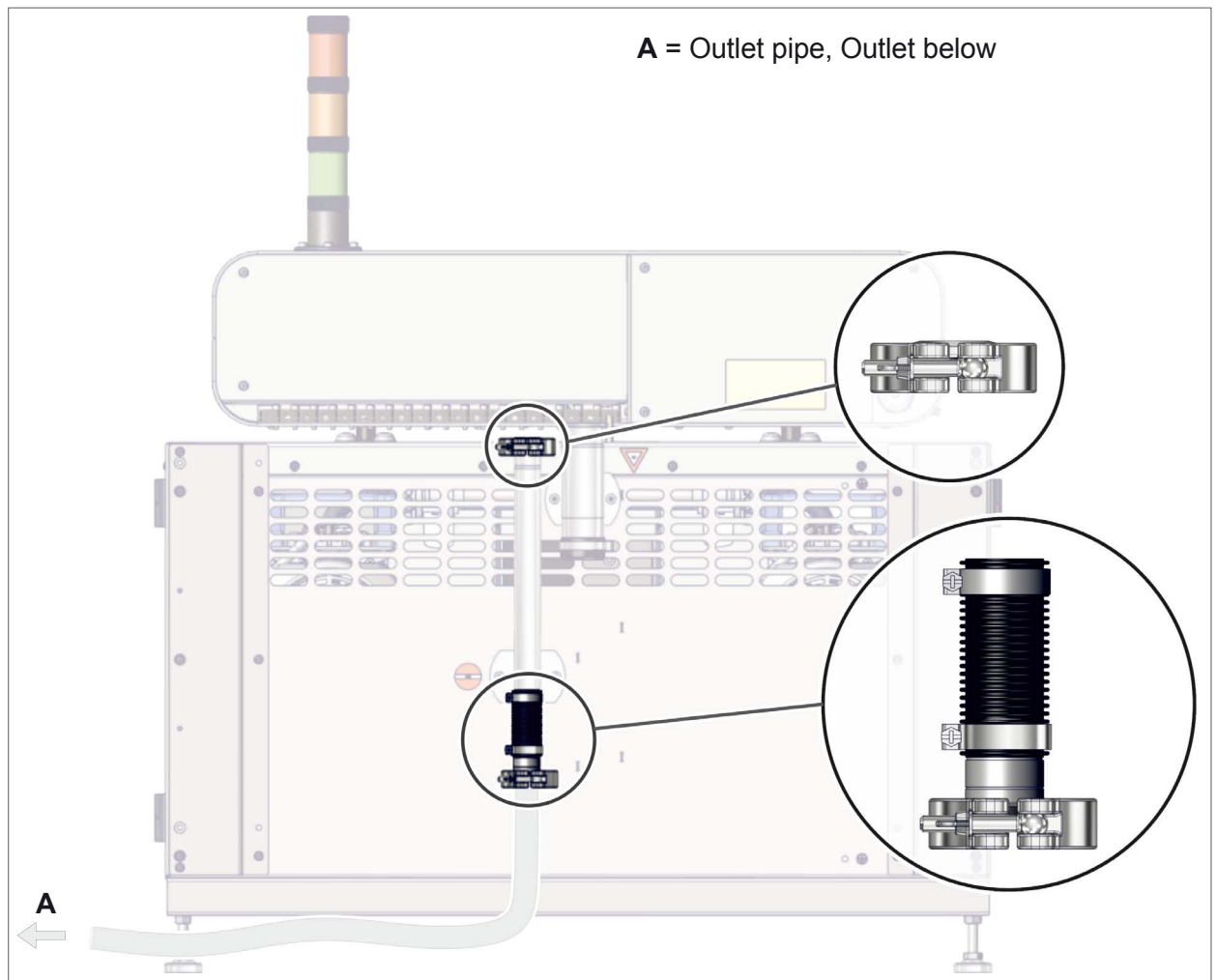


Fig. rear side pump module with set changing pump outlet downwards
(Parts on customer side are drawn partially transparent).





Process Vacuum Solutions

Manufacturer:

VACUUBRAND GMBH + CO KG
Alfred-Zippe-Str. 4
97877 Wertheim
GERMANY

Phone:

- Head office: +49 9342 808-0
- Sales: +49 9342 808-5550
- Service: +49 9342 808-5660

Fax: +49 9342 808-5555

E-Mail: info@vacuubrand.com

Web: www.vacuubrand-process.com