



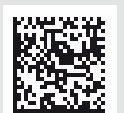
Process Vacuum Solutions

# Catch pot for condensate

VAC<sup>24</sup> SEVEN



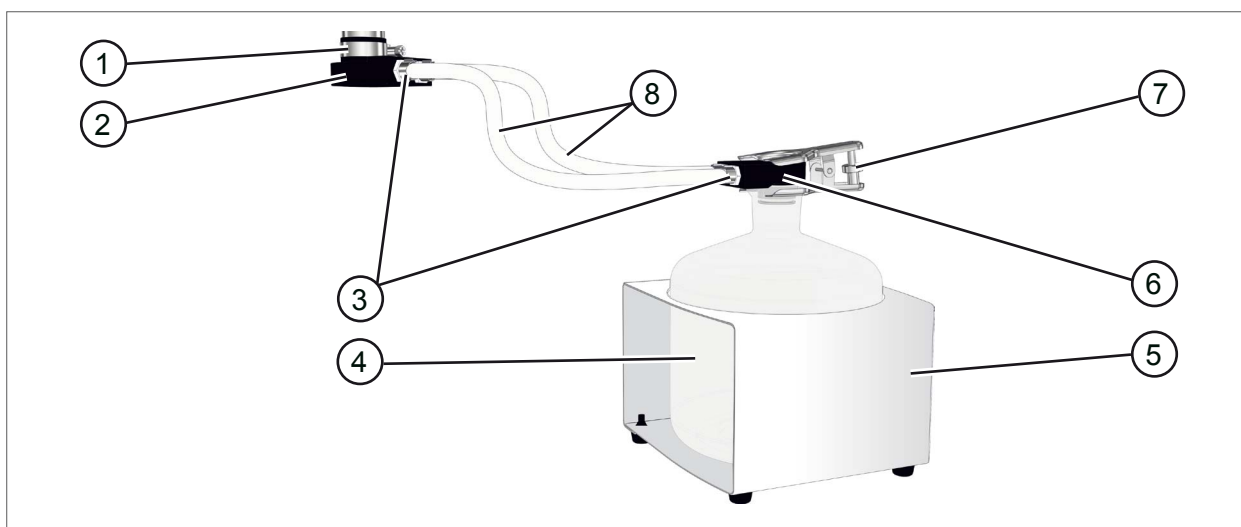
## Instructions for use



### Product description

The catchpot for condensate is intended to collect condensate at the outlet of a vacuum pumping unit **VAC 24seven**. The filling capacity of the glass flask is 2 liter.

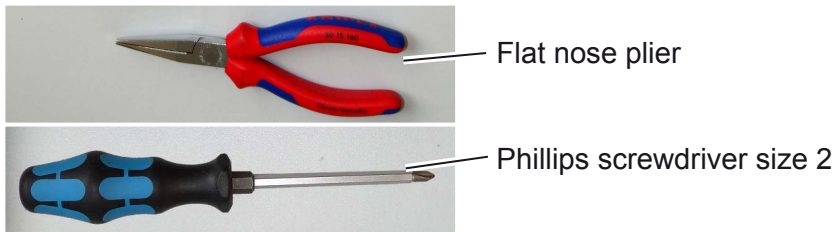
### Product image



### Included materials

Catch pot for condensate VAC 24seven #20649916		Order N°
1	Hose clamp D32 A2	20635316
2	Condensate connection	20635308 + 20635309
3	4x C-Hose nozzle 8/10 M10x1 + 4x Hose clamp D15,5 A2	20636006 + 20636789
4	Flask 2 l (borosilicate glass)	20635289
5	Bottle support with plug-in rubber foot	20635288 + 20638643
6	Plug NS29 PTFE + O-ring 24x2,5 FPM/FEP	20635307 + 20635286
7	Joint clip VA KS34/40	20635291
8	2x 2 m hose PTFE	23121380
-	Original packaging	-----
-	Instructions for use	20901589

**Required tool**



**How to connect catchpot for condensate**

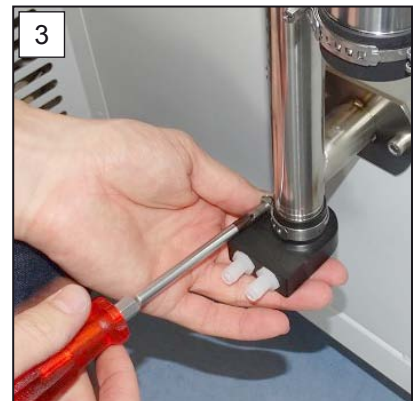
**IMPORTANT!** ⇒ Connect the catchpot for condensate gas-tight.



1. Remove the sealing plug from the outlet pipe below.



2. Slide the hose clamp D32 over the condensate connection.



3. Insert the condensate connection into the exhaust pipe and fix the hose clamp D32 with a Phillips screw driver size 2.



4. Slide the vacuum hoses onto the hose nozzles at the condensate connection.



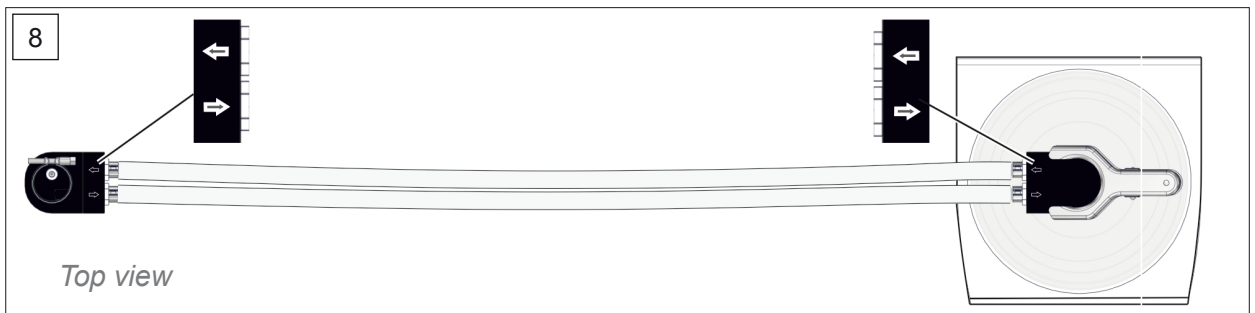
5. Fix the vacuum hoses with the hose clamps, e. g., with a flat nose plier.



6. Press the plug NS29 into the flask.



7. Attach the plug NS29 with the joint clip as shown.



8. Install the vacuum hoses in parallel; see arrow markings.

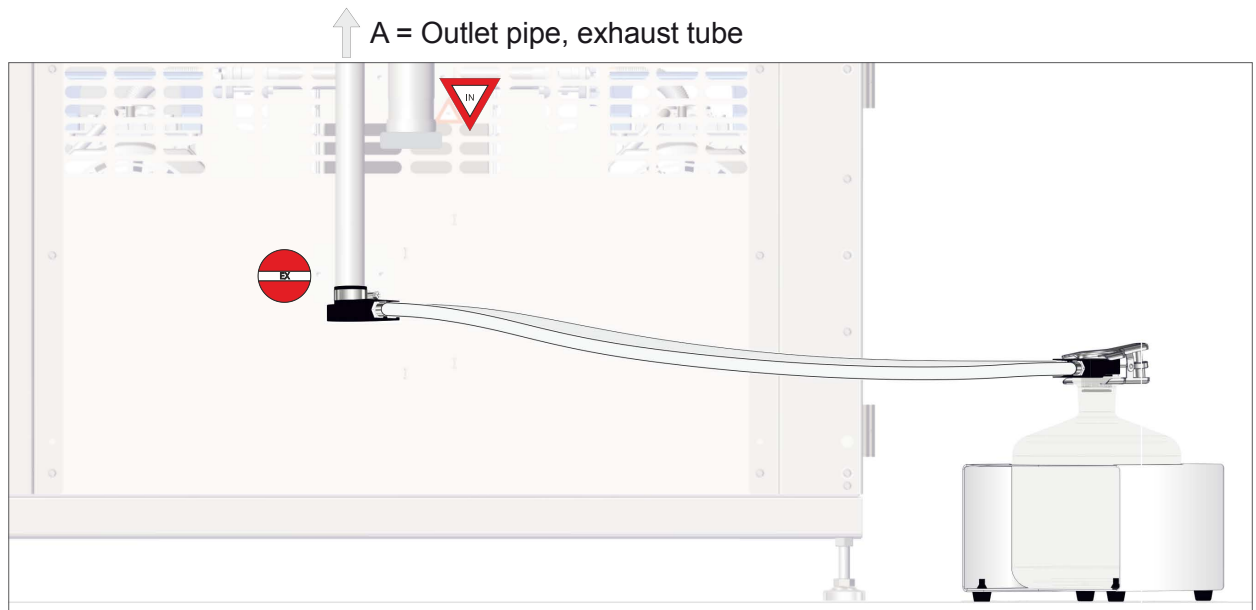
**IMPORTANT!** ⇒ Install the vacuum hoses from condensate connection to catch pot slightly downwards so the liquid can flow easily into the flask.



9. Slide the vacuum hoses onto the hose nozzles at the plug.



10. Fix the vacuum hoses with the hose clamps.

**Installation example**

[Fig.] Rear side pump module with catchpot for condensate  
(Parts on customer side are drawn partially transparent).

**IMPORTANT!**

- ⇒ Check the fluid level in the catch pot periodically.
- ⇒ Dispose the collected fluid in accordance with the national regulations.
- ⇒ Purify dirty vacuum hoses regularly and replace them if defective.
- ⇒ In case of damage, replace the catch pot immediately.



Process Vacuum Solutions

Manufacturer:

**VACUUBRAND GMBH + CO KG**  
**Alfred-Zippe-Str. 4**  
**97877 Wertheim**  
**GERMANY**

Phone:

- Head office: +49 9342 808-0
- Sales: +49 9342 808-5550
- Service: +49 9342 808-5660

Fax: +49 9342 808-5555

E-Mail: [info@vacuubrand.com](mailto:info@vacuubrand.com)

Web: [www.vacuubrand-process.com](http://www.vacuubrand-process.com)